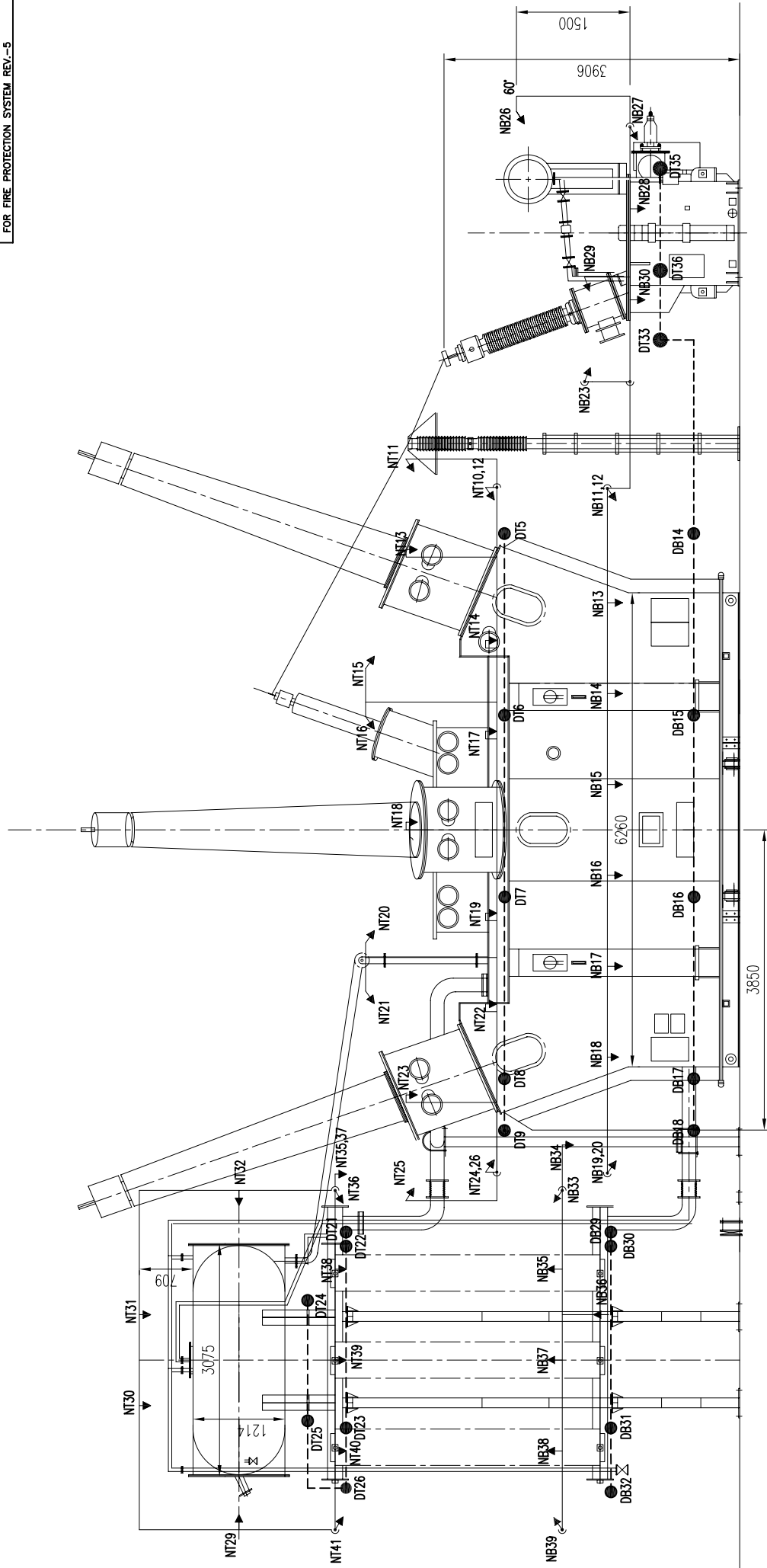


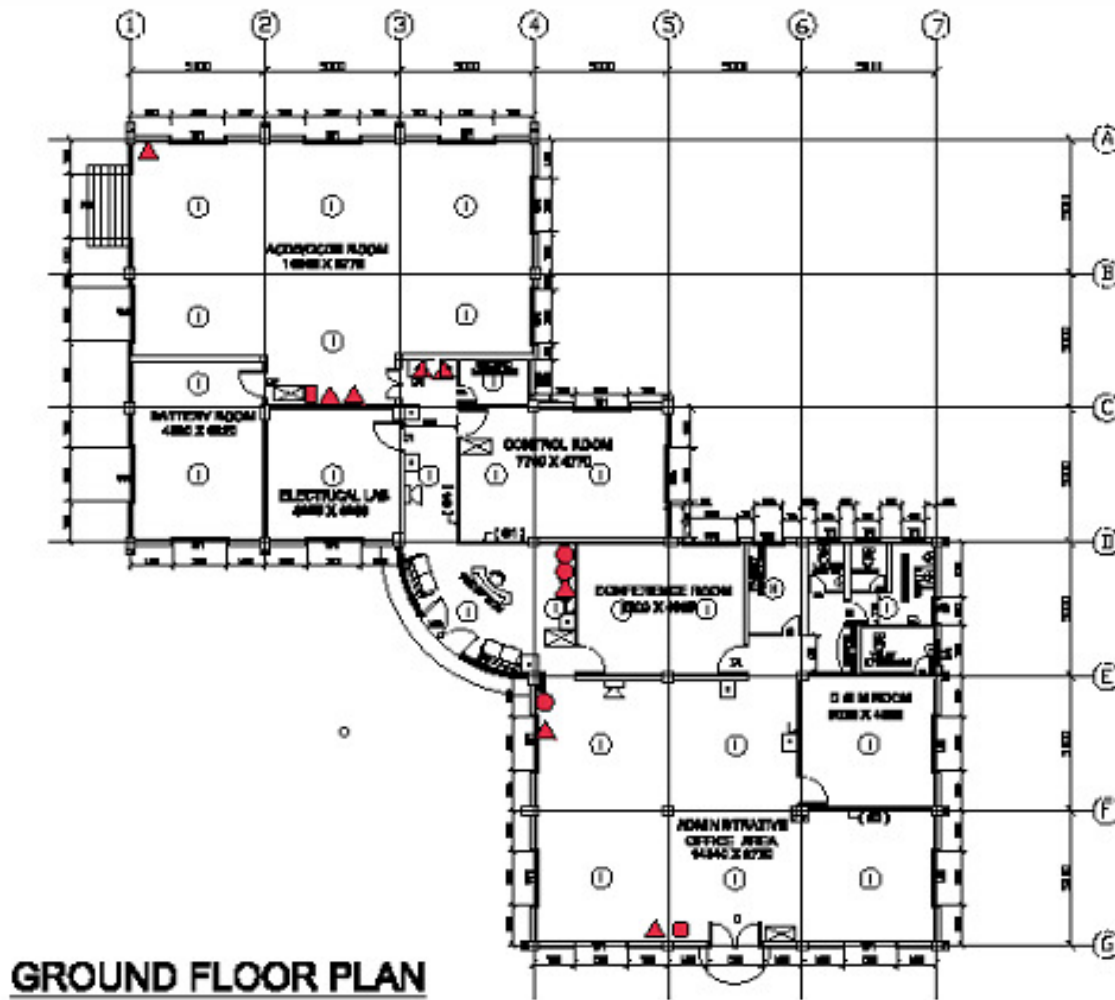
PLAN VIEW

TYPICAL SPRAY SYSTEM DRAWING FOR REACTOR



ELEVATION
TYPICAL SPRAY SYSTEM DRAWING FOR REACTOR

APPENDIX-II
TO TECHNICAL SPECIFICATION
FOR FIRE PROTECTION SYSTEM REV-5



BILL OF QUANTITY FOR FIRE PROTECTION		
SYMBOL	TYPE	QUANTITY
▲	4.5 LTR CDR	04*
■	8 LITRE WATER	04
□	3 IN BOX	04*

* FOR FIRE WATER PUMP ROOM SEE BS 207.

BILL OF QUANTITY FOR FIRE DETECTORS		
SYMBOL	TYPE	QUANTITY
①	SMOKE DETECTOR	04
②	HEAT DETECTOR	04
③	SMOKE SENSITIVE DETECTOR	04
④	MANUAL PULL POINT	04
⑤	EXTINGUISHER	04-04

④ For Fire Water Pump Room.

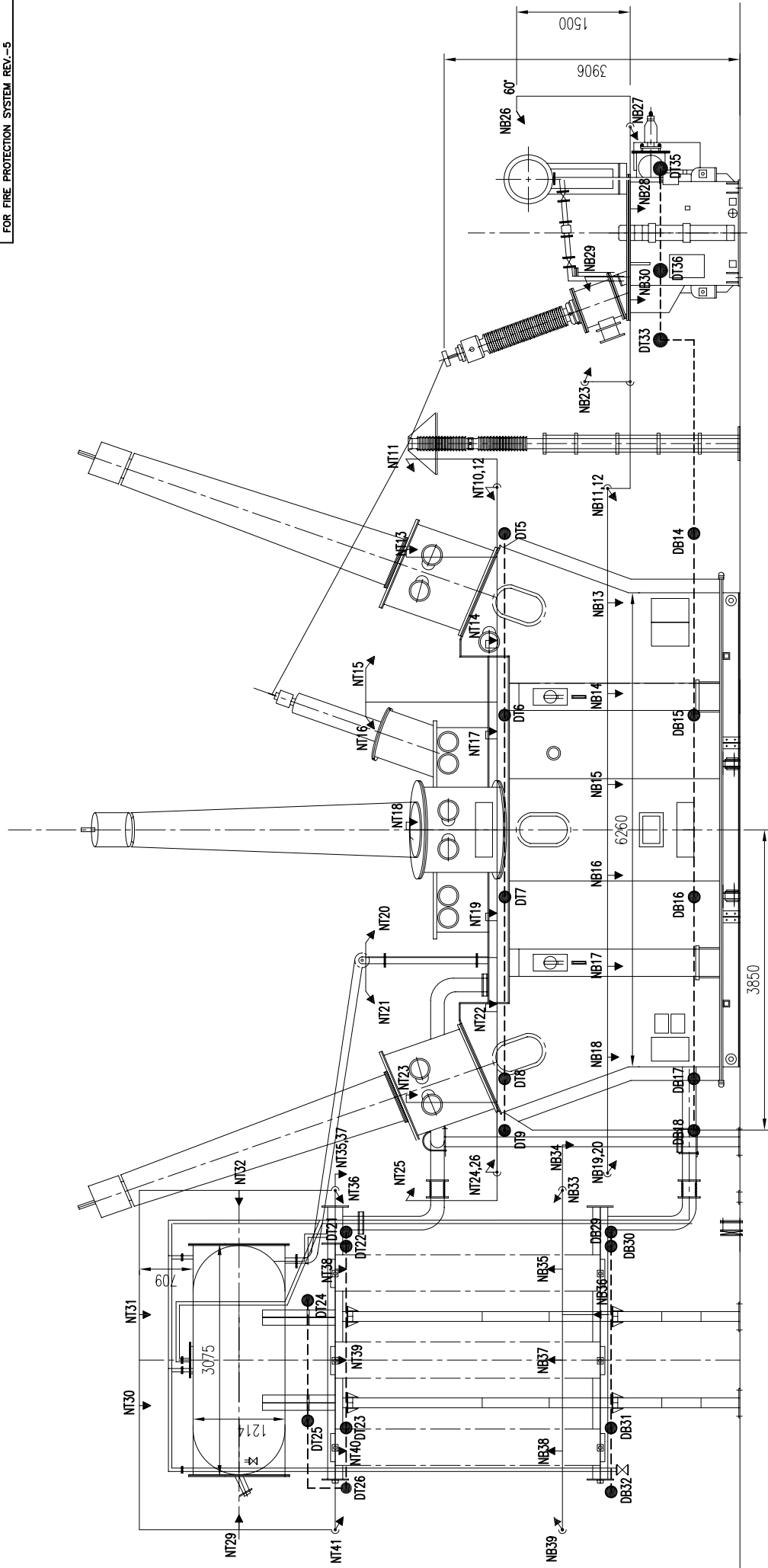
NOTES:-
ALL DIMENSIONS ARE IN MM UNLESS OTHERWISE SPECIFIED.

GROUND FLOOR PLAN

LAPANGA S/S (OPTCL)

NO.	DESCRIPTION	QTY	UNIT	PRICE	TOTAL	DATE	BY

PROJECT :	04/19/10 (7) 016-024000
NO. :	STANDARD CONTROL ROOM BUILDING LOCATION OF DETECTORS AND PORTABLE EXTINGUISHERS
DATE :	02/02/08-02/27/08-08
SCALE :	1:100

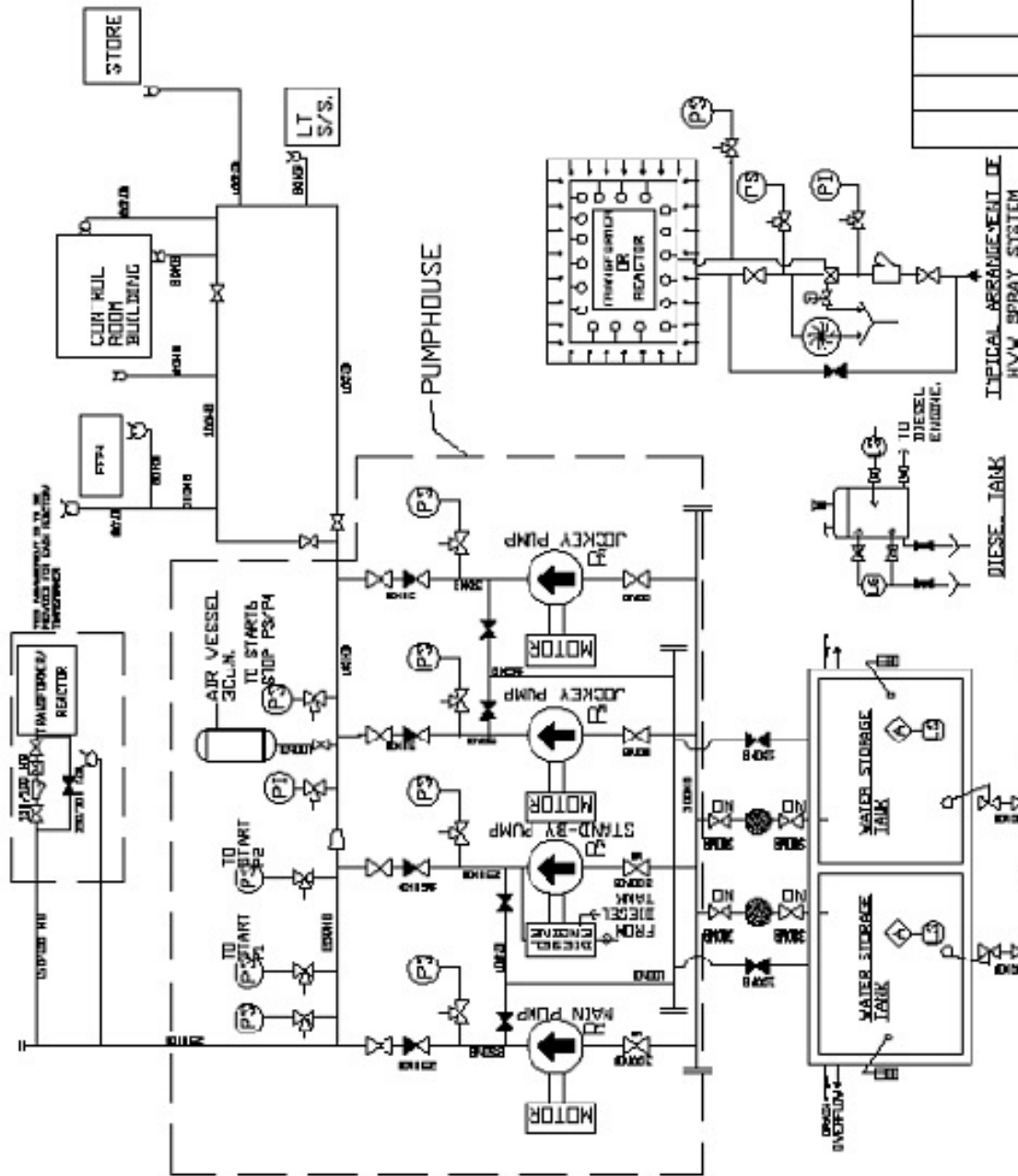


ELEVATION
TYPICAL SPRAY SYSTEM DRAWING FOR REACTOR

APPENDIX-2
TO TECHNICAL SPECIFICATION
FOR FIRE PROTECTION SYSTEMS REV-3

LEGEND

- ALARM
- GATE VALVE NORMALLY OPEN
- GATE VALVE NORMALLY CLOSED
- REF-RETURN VALVE
- GLOBE VALVE NORMALLY OPEN
- GLOBE VALVE NORMALLY CLOSED
- OP. (MAN) OPERATED GATE VALVE
- TEST VALVE
- PRESSURE GAUGE
- POURSAUT SWITCH
- LEVEL GAUGE
- LEVEL SWITCH
- SHRINK STRAINER
- FLOAT OPERATED LEVEL GAUGE
- Y-TYPE STRAINER
- WATER MOTOR COING
- REDUCER
- THREE WAY COCK/ VALVE
- VENT
- BRASS
- OUT DOOR HYDRANT
- QUARTZOID BILLS DETECTOR
- HVM SPRAY NOZZLE
- P.JUMP
- WATER LINE
- BELIEGE VALVE

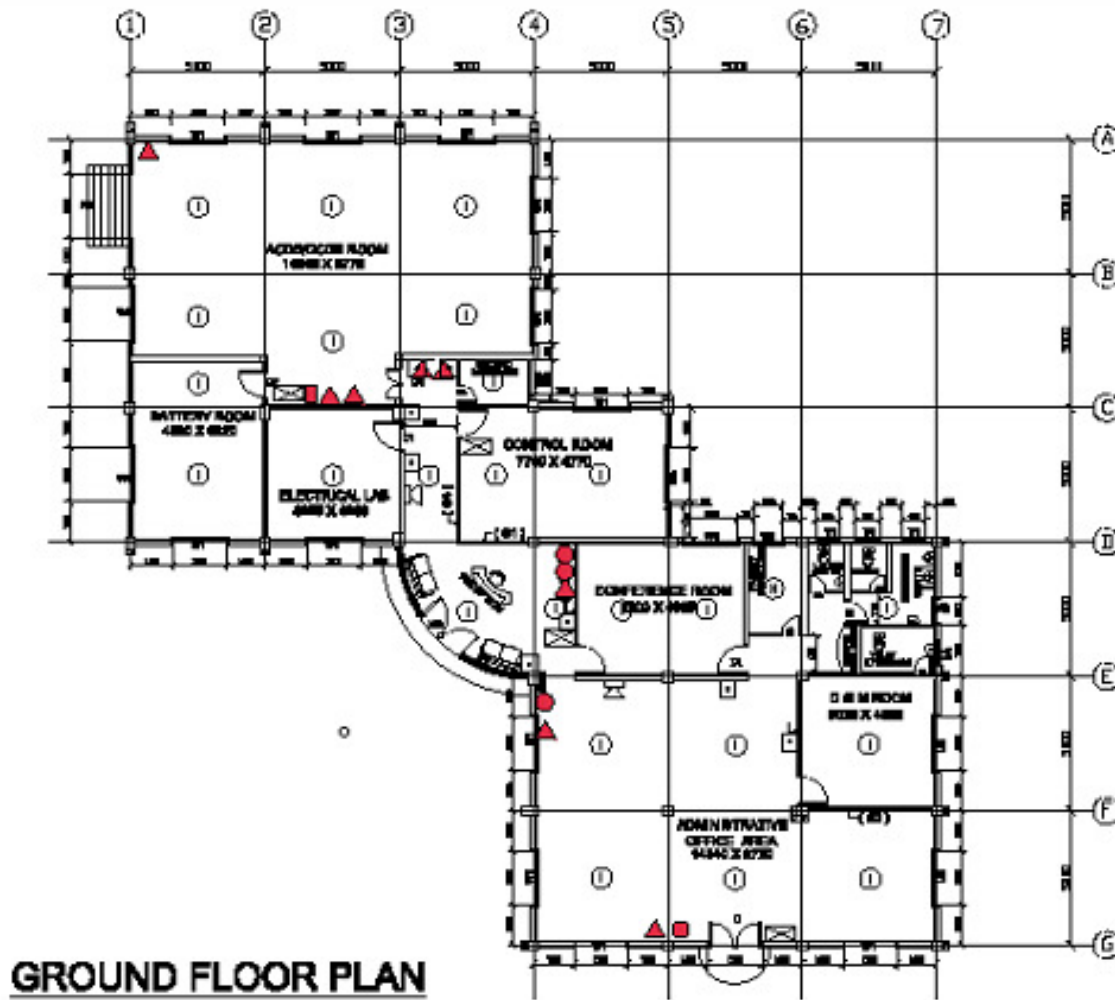


FOR TENDER PURPOSE ONLY	
LAPANGA S/S (OPTCL)	
PROJECT	7534/ AND 404/ SUBSTATION
DESIGNER	PTCL
DATE	13/05/2014
REVISION	NO. 1
DATE	13/05/2014
REVISION	NO. 1
DATE	13/05/2014
REVISION	NO. 1

NOTE: THE HYDRANT PIPES FOR TRANSFORMER/ REACTOR SHALL BE LOCATED AT LEAST 50M AWAY FROM THEM. IN NO CASEY, A WARNING PLATE SHALL BE PLACED NEAR HYDRANT PIPES FOR TRANSFORMER/ REACTOR TO ADVISE THE OPERATOR THAT THE PIPES ARE NOT TO BE USED FOR WATER SUPPLY AND THESE ARE NO LIVE PART VEHICLES AT A DISTANCE OF THE HYDRANT USING THE HYDRANT.

Sheet 3 of 3

APPENDIX-II
TO TECHNICAL SPECIFICATION
FOR FIRE PROTECTION SYSTEM REV-5



GROUND FLOOR PLAN

BILL OF QUANTITY FOR FIRE PROTECTION		
SYMBOL	TYPE	QUANTITY
▲	4.5 LB CO2	08-07
■	5 LITER WATER	04
▭	8 LB CO2	04-07

* FOR FIRE WATER PUMP ROOM SEE BS 207.

BILL OF QUANTITY FOR FIRE DETECTORS		
SYMBOL	TYPE	QUANTITY
○	SMOKE DETECTOR	08
○	HEAT DETECTOR	08
□	SMOKE SENSITIVE DETECTOR	04
⊗	MANUAL PULL POINT	04
⊕	BREAKER	04-07

8 For Fire Water Pump Room.

NOTES :-
ALL DIMENSIONS ARE IN MM. UNLESS OTHERWISE SPECIFIED.

LAPANGA S/S (OPTCL)

PROJECT : 04/19/00 (P) 016-020000

WORK : STANDARD CONTROL ROOM BUILDING
LOCATION OF DETECTORS AND PORTABLE
SMOKE DETECTOR

REV.	DESCRIPTION	DATE	BY	CHKD.	APPD.	DATE

DATE: 02/02/00 14:00